



Description

The column speakers have been developed to provide excellent performance in sound reproduction. This series have broadband loudspeakers specifically designed to give authentic and clear voice response, thereby offering a sound which seems nearer, sharper and more detailed for ease of communication.

The CS24 is made up of 4 wide band loudspeakers Ø 60 mm.

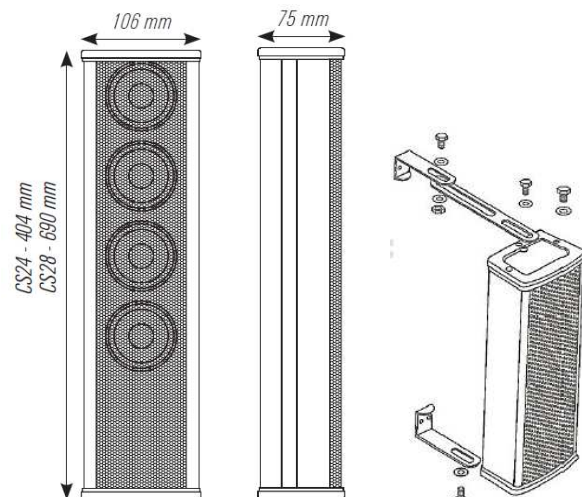
The transformer for the constant voltage line built on the speaker allows connections at 20 and 10W.

The CS28 is made up of 8 wide band loudspeakers Ø 60 mm.

The transformer for the constant voltage line built on the speaker allows connections at 40 and 20W.

Quick and easy installation on wall by the enclosed wall mounting bracket.

Dimension and Fixing System



Technical Specifications

MODEL	CS24	CS28
Nominal Power	20-10W 100V	40-20W 100V
Frequency Response (-3dB)	110Hz÷13KHz	110Hz÷13KHz
Sensitivity (1W@1m)	90dB	90dB
SPL Max	103dB	106dB
Loudspeakers	N° 4 x2,5"	N° 8 x2,5"
IP rated	IP44	IP44
Cabinet	Alluminium	Alluminium
Dimensions (WxHxD)	105x405x75mm	105x690x75mm
Weight -Net	2,2 kg	4 kg

Installation Instructions

Before the device use, we recommend to read the connection instructions carefully.

Once the speaker installation has been made in the best position for the best audio diffusion (about 1,7mt from the floor level), follow the instructions given below:

1. Connect the 3 wires of the speaker input to a 3 poles barrier strip.
2. Connect the cable coming from the amplifier to the clamps, respecting the polarity; the 0 V cable line must be connect to the clamp 1 and the 100 V cable line to the clamp 2.

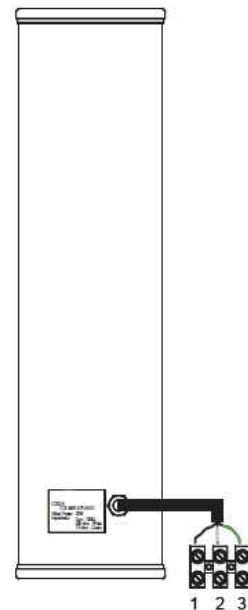
In this way, the speaker is connected with a power of 20 W RMS for the CS24 and at 40 W for the CS28. To set lower powers, move only the 100V cable line to the clamp 3.

3. Screw the column at the brackets by the enclosed nuts.

Note

Connect the speaker with the constant voltage line always disconnected from the amplifier.

The sum (in power) of every sound speaker must never exceed the amplifier's rated load.



CS24

- 1 - Common = Black
- 2 - 20W = White
- 3 - 10W = Green

CS28

- Common = Black
- 40W = White
- 20W = Green

Constant voltage line connection 0/100 V

